



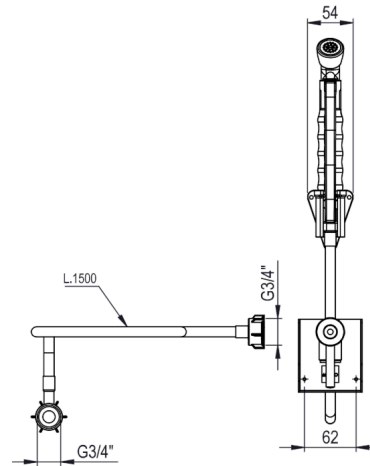
922171 (EXSISPUN)

External side spray unit (needs to be mounted outside and includes support to be mounted on the oven)

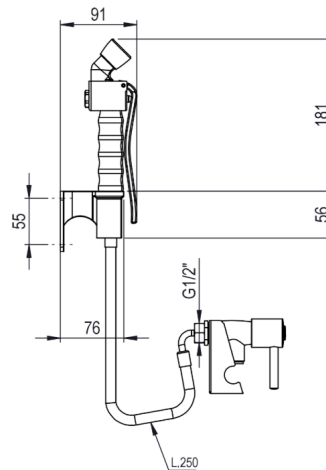


Technical specifications

Component not supported : table-repeatable-header Front



Side



Top

